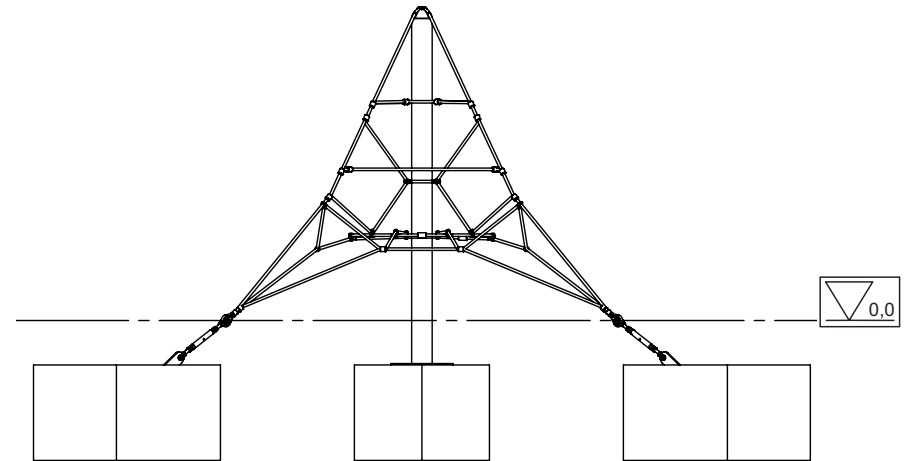



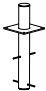


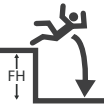

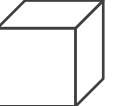



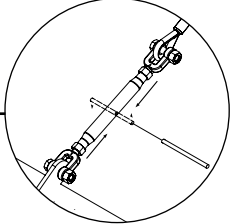
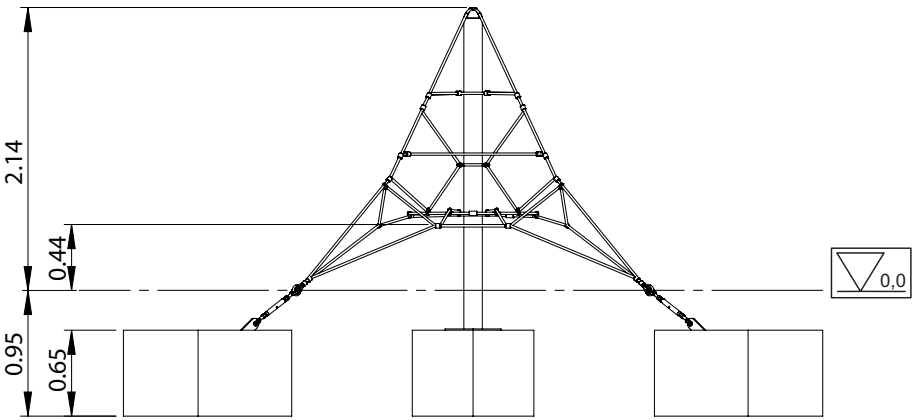
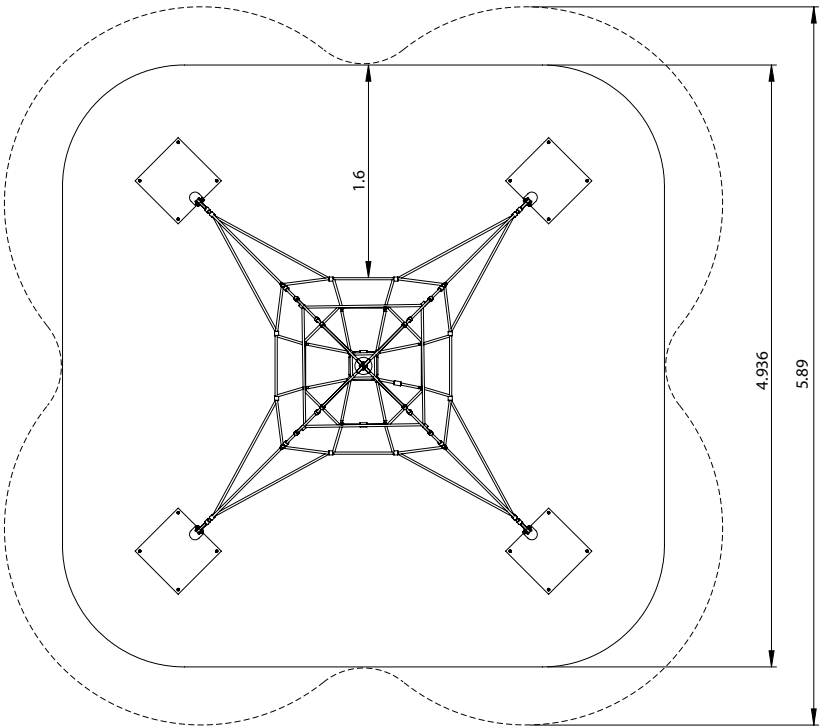


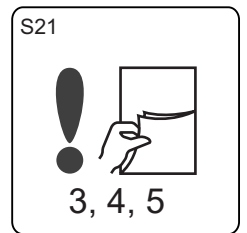
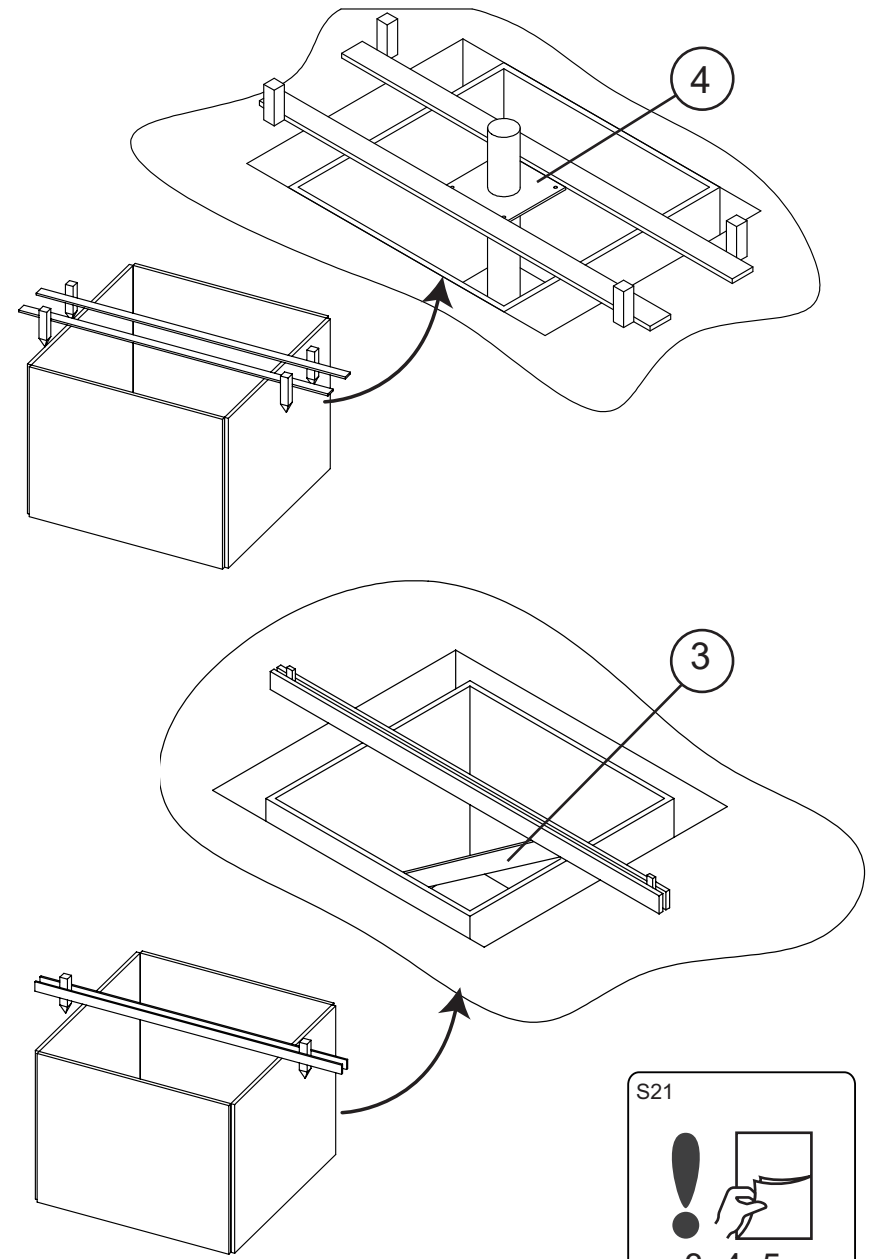
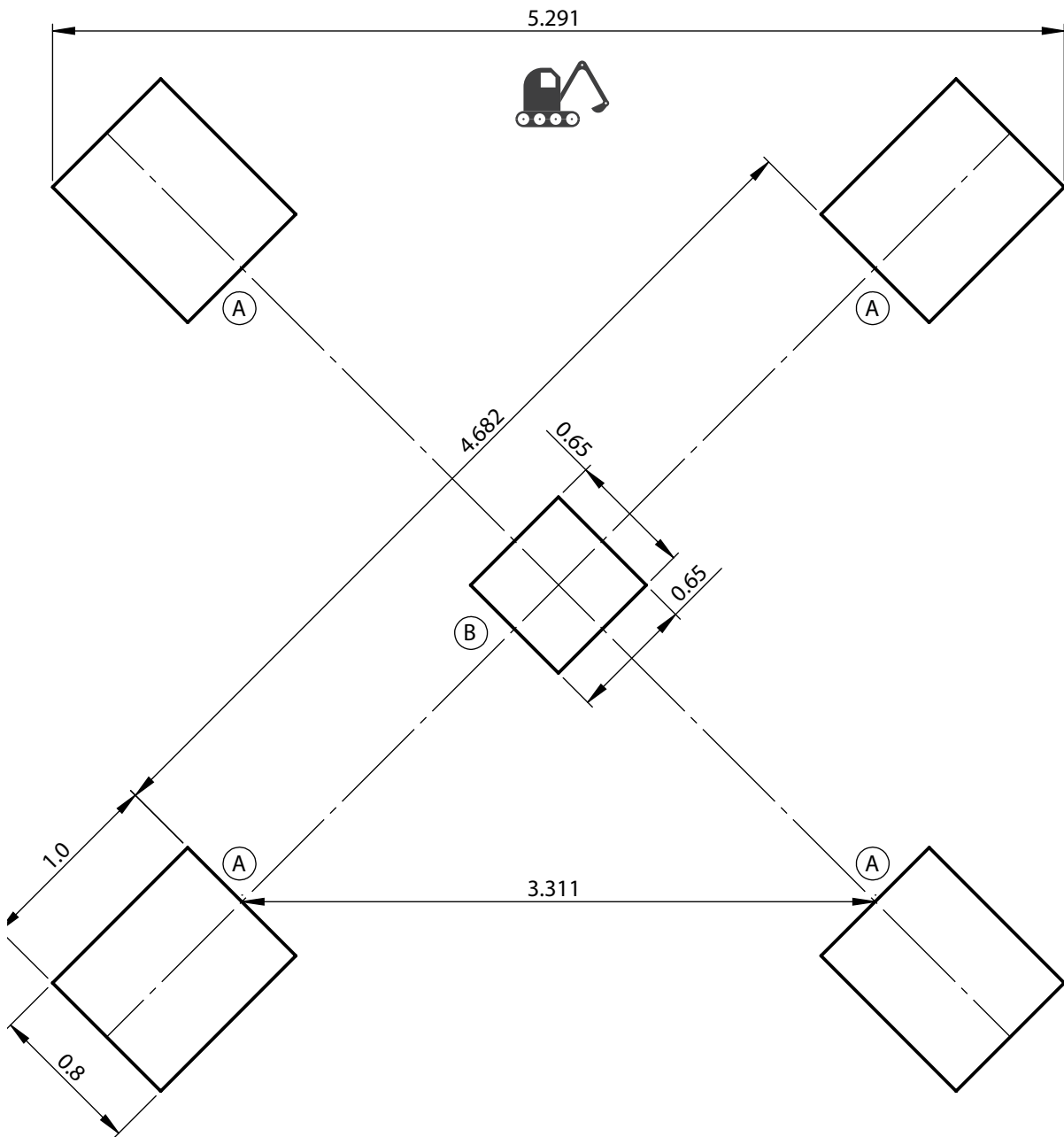
CC (BM/LF)

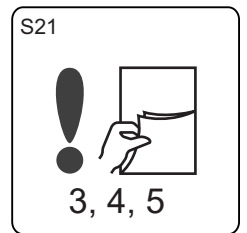
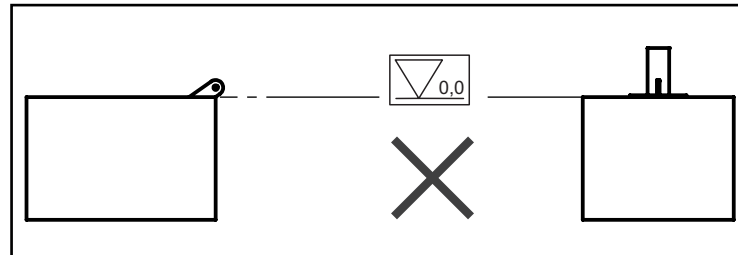
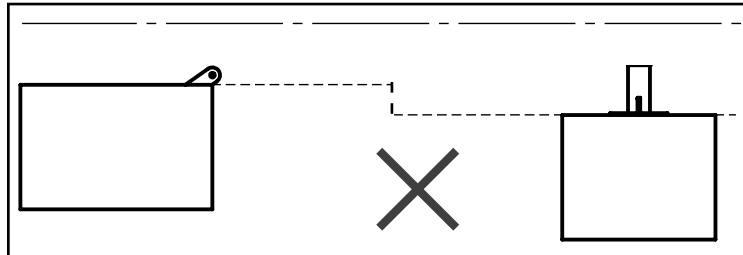
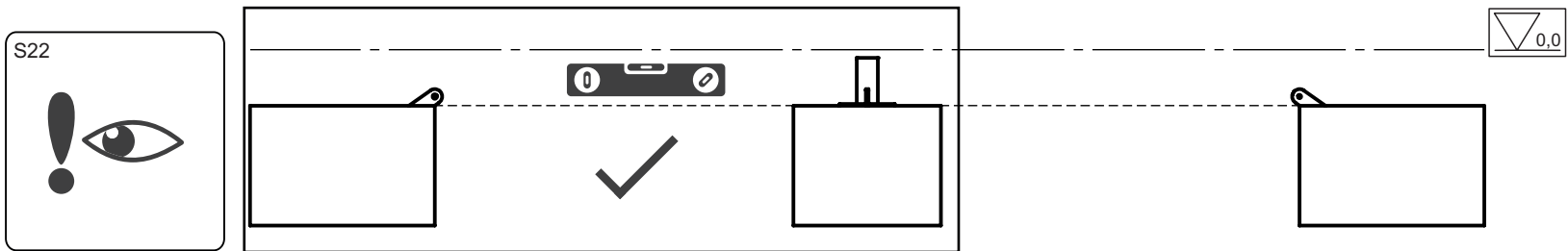
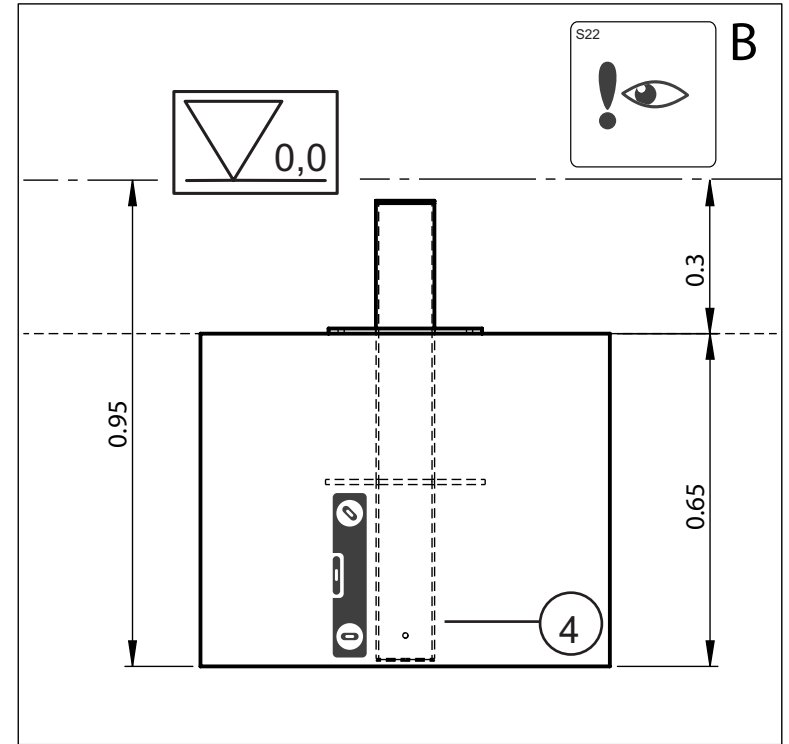
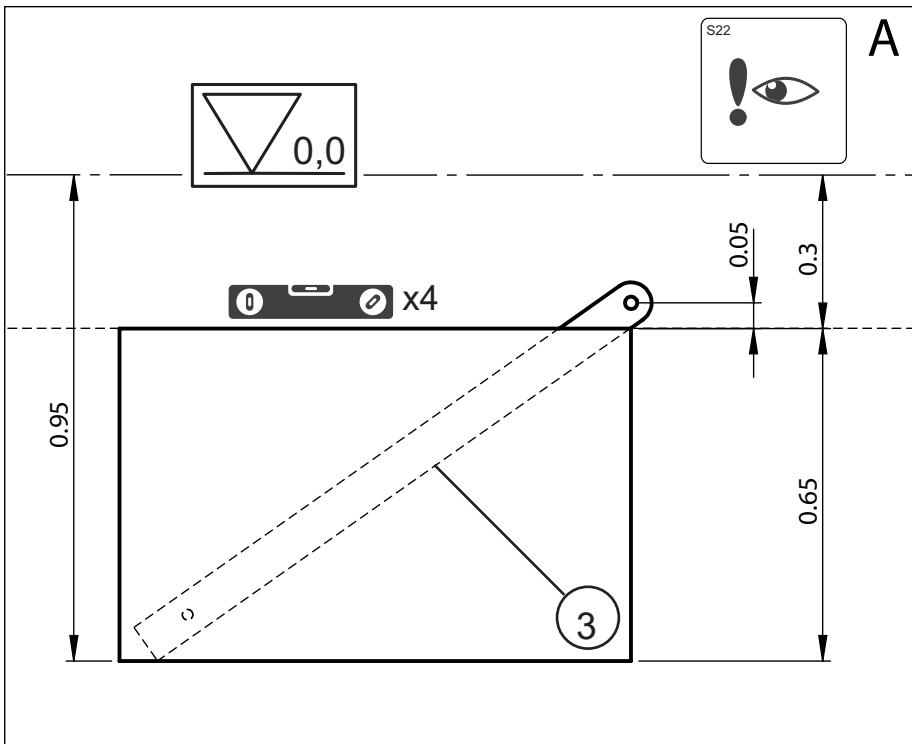


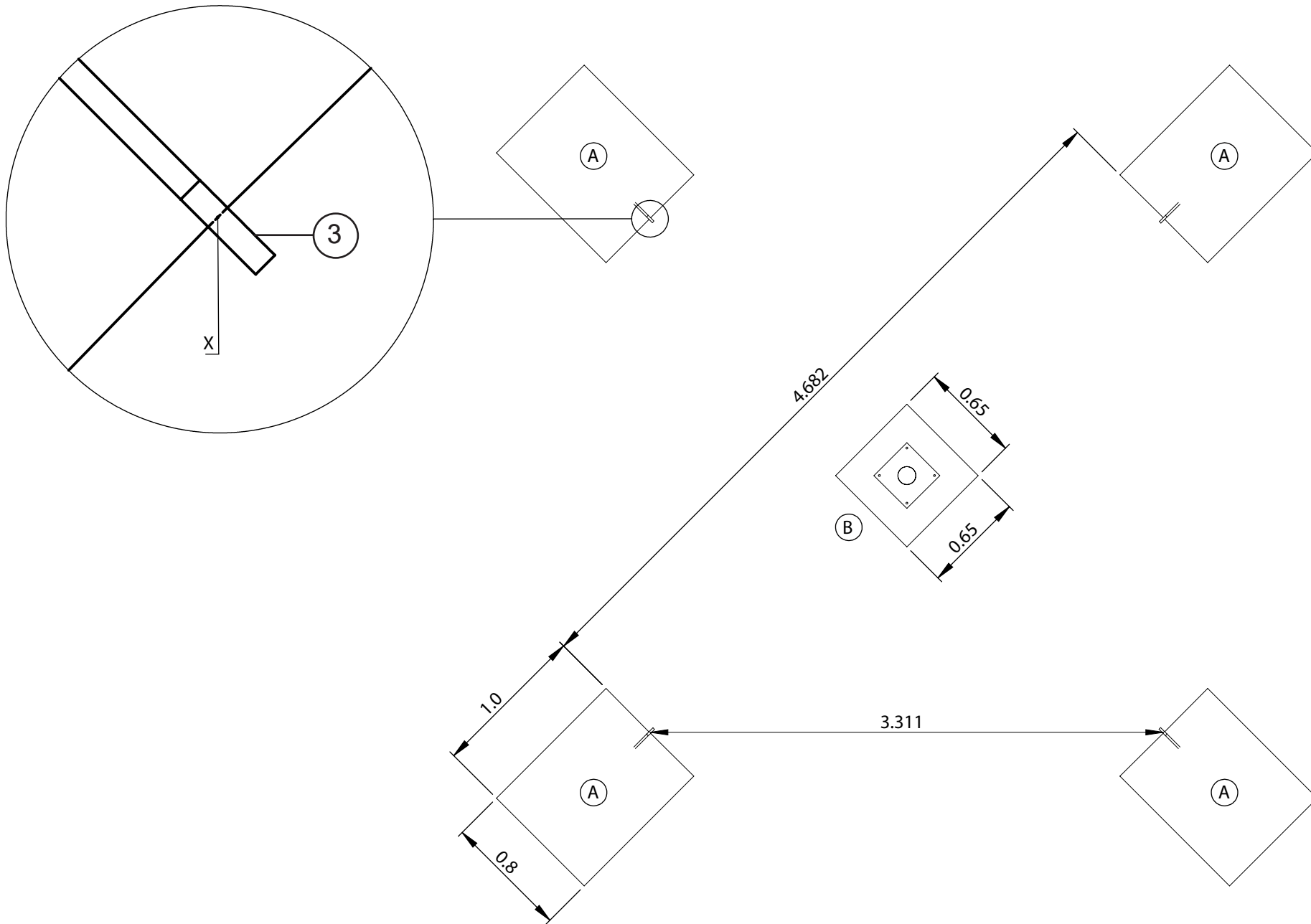
1	SW80317		1x 2700 x 2700 x 2200	30kg
2	SW80336		1x 139.7 x 133.7 x 2240	25kg
3	SW85328		4x 1200 x 715 x 80	12.89kg
4	SW85338		1x 114OD x 312	19.07kg
5	SW86318		4x 20; 454 - 672	2.28kg
6	SW87683		1x 140.3 x 157	3.2kg

<p>S6</p>  <p>EN1176</p> <p>0.44m</p>	<p>S13</p>  <p>m³</p> <p>1.926</p>	<p>S15</p>  <p>L x W x H (m)</p> <p>2.7x2.7x2.2</p>	<p>S12</p>  <p>kg</p> <p>145</p>
<p>S20</p>  <p>2 x 12</p>	<p>S18</p> 		












S25



1.926m³
30Nmm³

 24x7

S21



3, 4, 5

